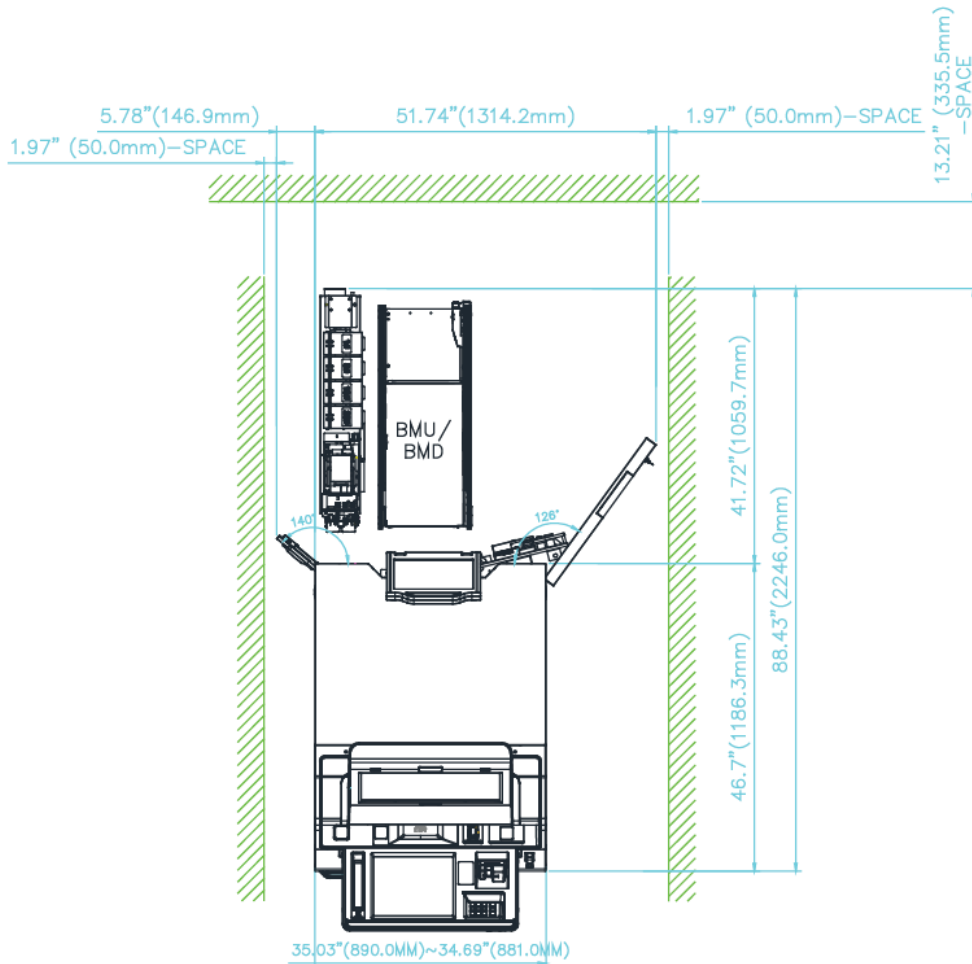




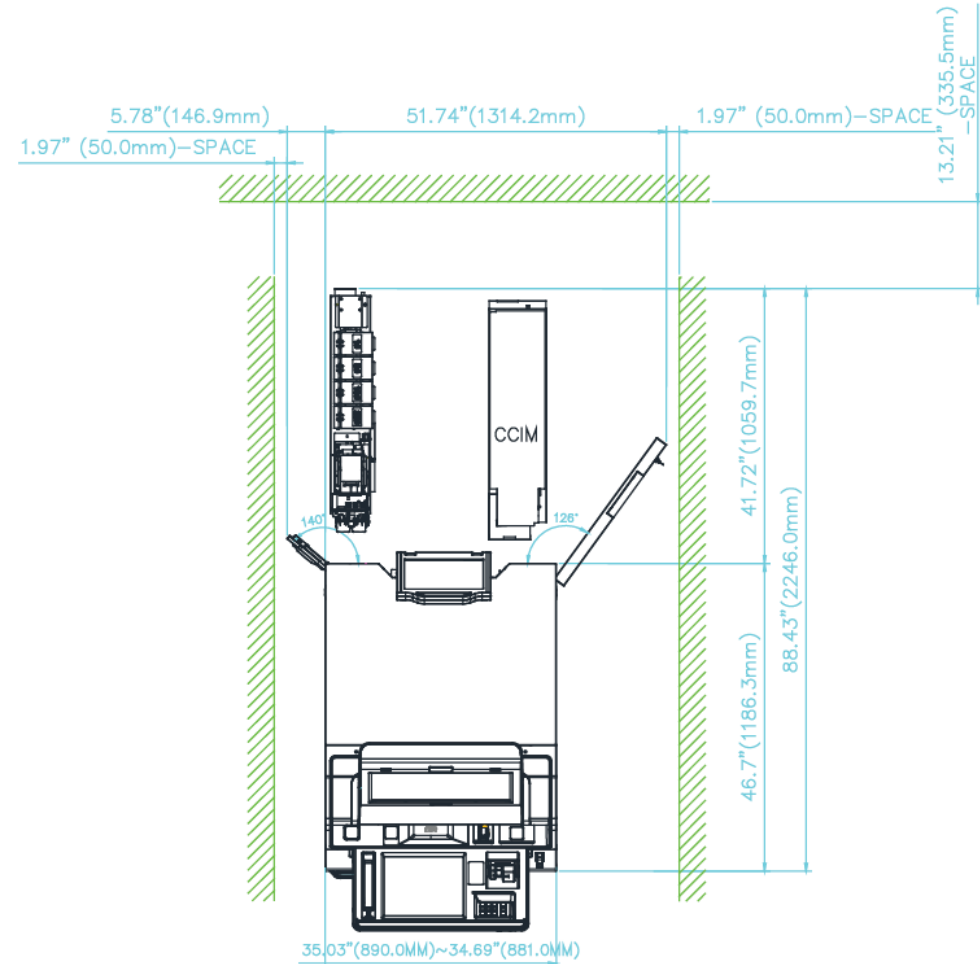
STANDARD HYBRID ATM(Side car)

Maintenance/Service Clearance – Preliminary

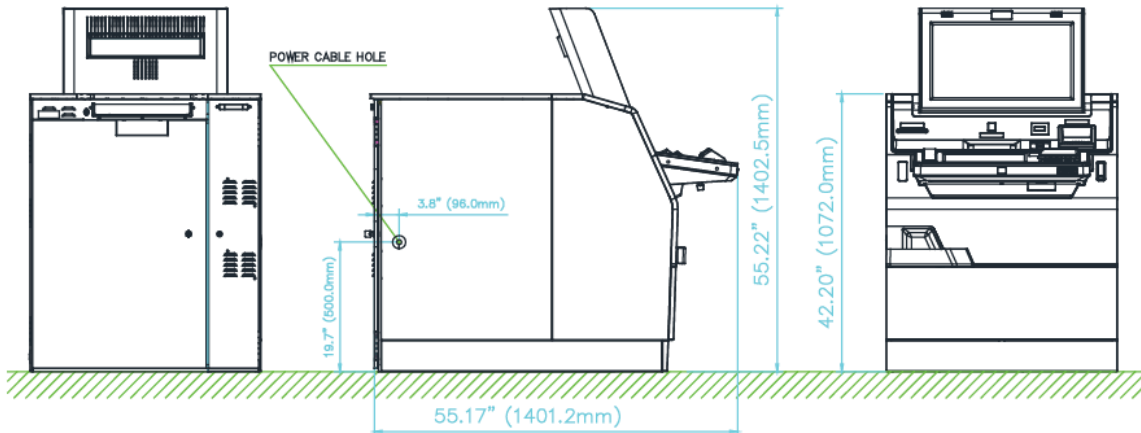
Date: NOV. 2013 Preliminary



<To access the upper part & cassettes of BRM>

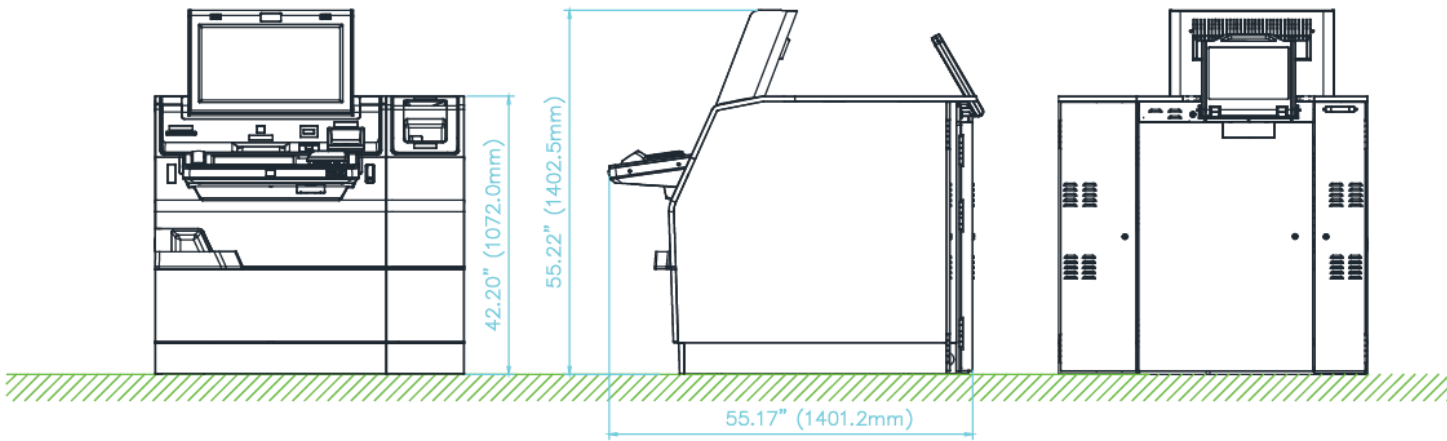
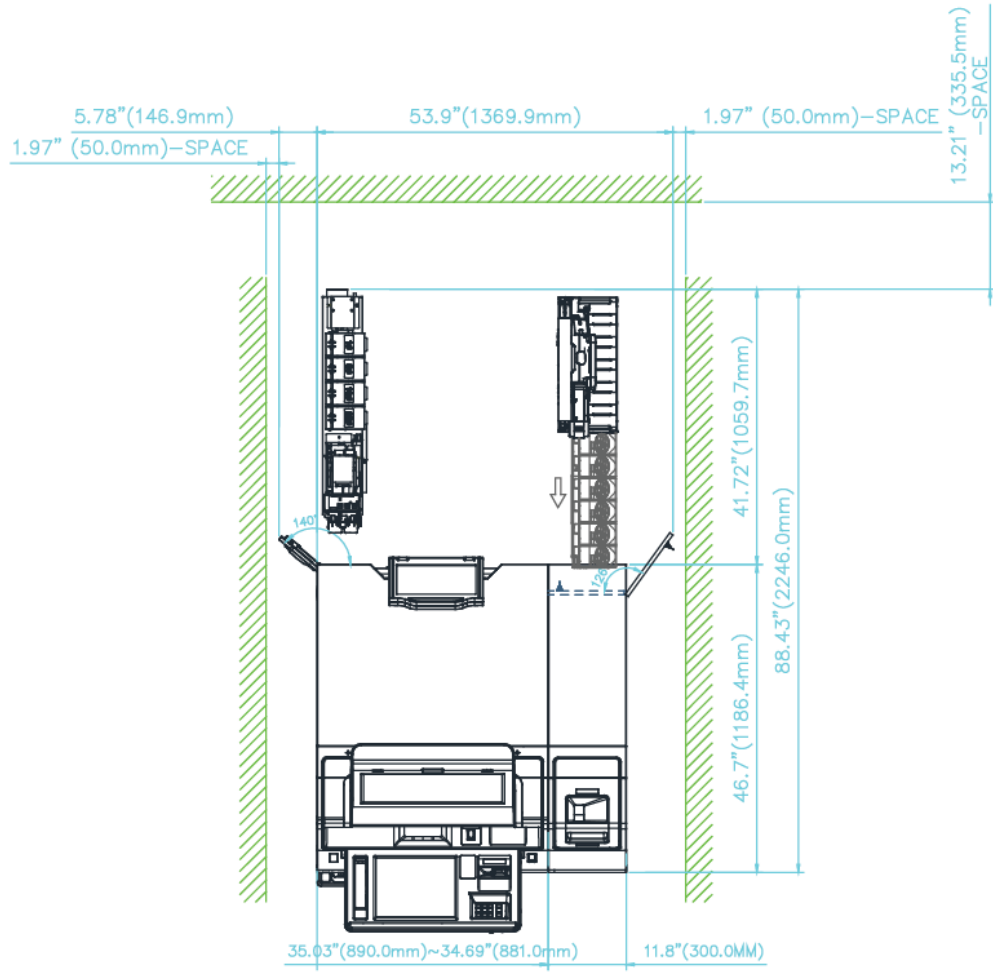


<To access the upper part of BRM and CCiM>

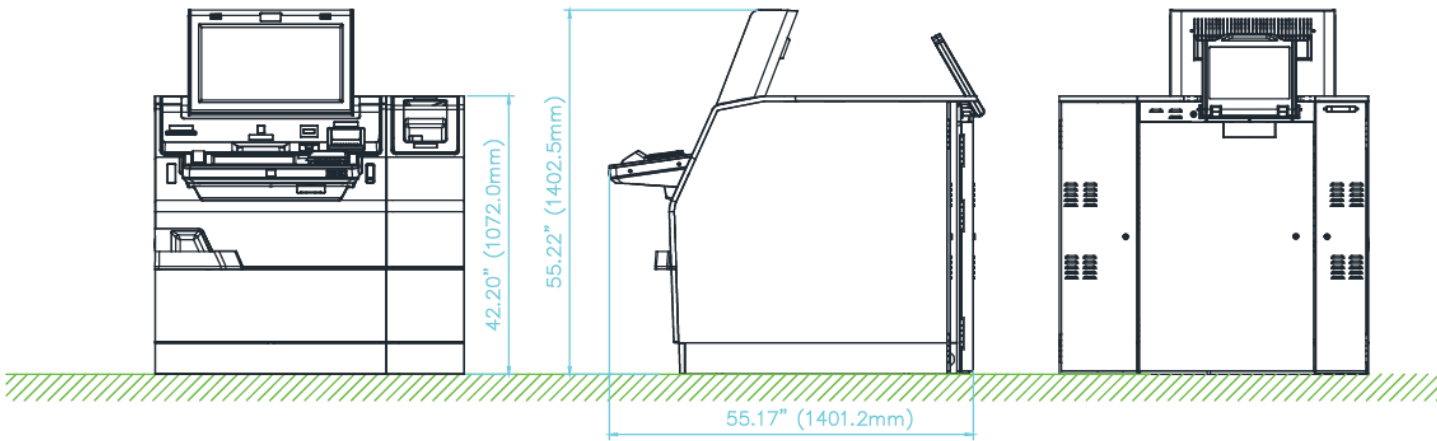
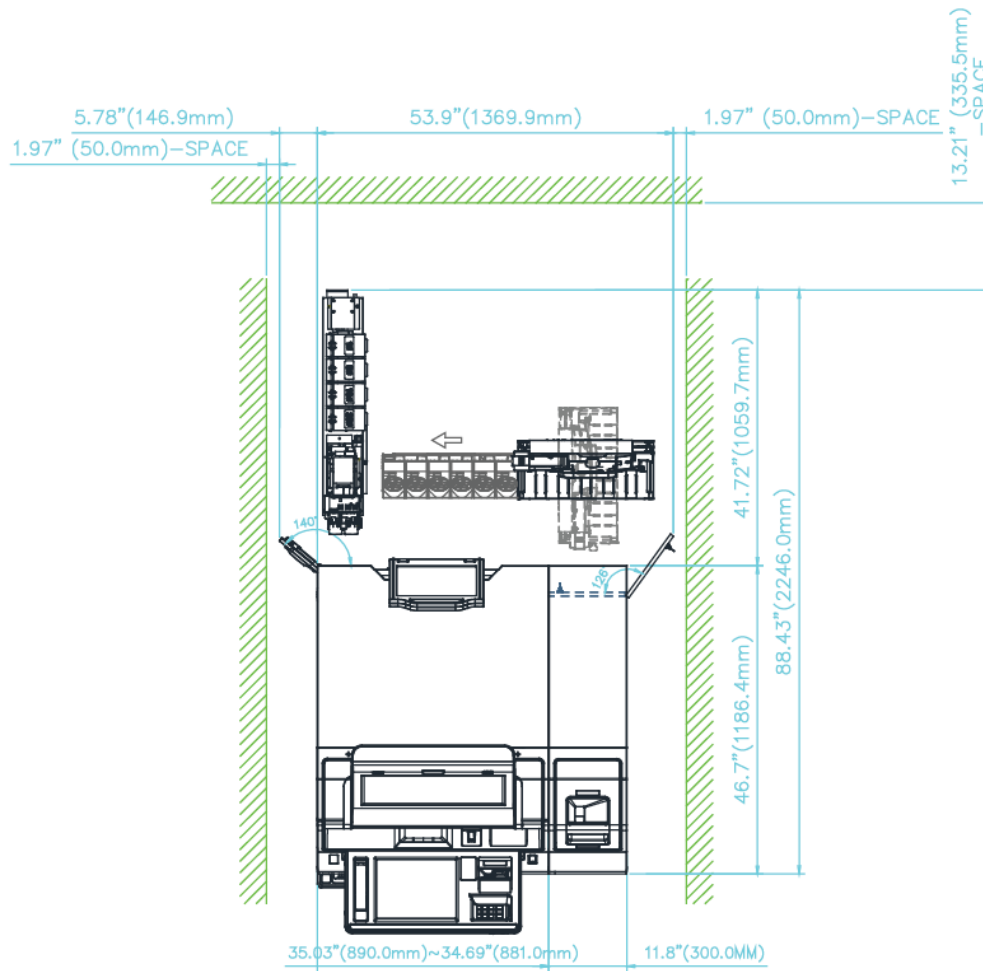


1. POWER REQUIREMENTS
 - 100–127 VAC 50/60 Hz
 - 200–240 VAC 50/60 Hz
2. WEIGHT
 - 1,001kg (2,207 LBS.) without millwork

NOV. 2013 Preliminary
Maintenance/Service Clearance
STANDARD HYBRID ATM



NOV. 2013 Preliminary
Maintenance/Service Clearance
STANDARD HYBRID ATM(Side car)



NOV. 2013 Preliminary
 Maintenance/Service Clearance Ver.2
 STANDARD HYBRID ATM(Side car)