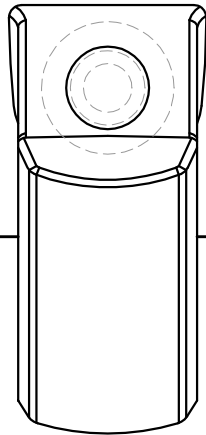


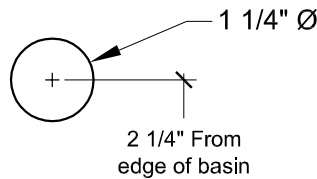
Sink Systems - airspout

AIR SPOUT - IN BASIN HAND DRYER

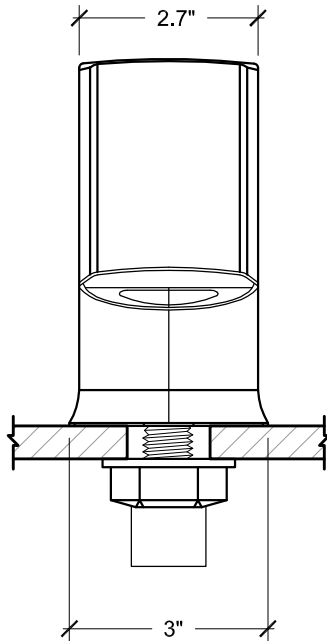
TECHNICAL SPEC.



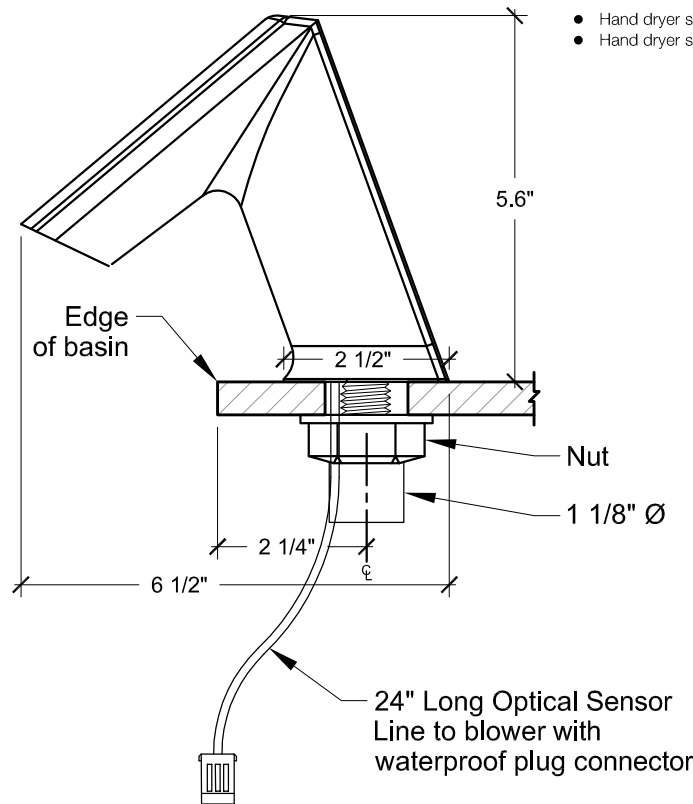
AIR SPOUT TOP VIEW



AIR SPOUT HOLE LOCATION



AIR SPOUT FRONT VIEW



AIR SPOUT RIGHT SIDE VIEW

Electrical

- Input voltage/Frequency: 110V-120V 60 Hz
- Rated power: 1500 W
- Rated power: 500 W without heater
- Electrical Spec: 12.5 amp for air and heater
- Operating temperature range: ▲ Atmospheric +60°
- Heater type: Heating element
- Standby power consumption: Less than 0.5 W
- 20 amp circuit required for each dryer

Construction

- Spout construction: Chrome finish, Zinc body
- Under counter motor assembly construction: Molded ABS

Filter

- HEPA filter with water cleanable stainless steel filter screen
- Bacteria removal 99.97% at 0.3 microns

Operation


- Touch-free optical sensor activation
- Hand dry time measurement: 14 seconds (Measurement based on National Sanitation Foundation Protocol P335)
- Environmental learning sensors
- Variable speed blower control
- Operation lock-out period: 30 seconds
- Air velocity: Approximately 15,000 cfm from 4" spout
- Rated operating noise power: 40 to 78 db(A)

Product Range

- Hand dryer spout with basin
- Hand dryer spout, basin with remote blower location

stoneandsteel

7505 E. Bent Tree Drive
Scottsdale, Arizona 85266
Phone 949.456.5554
Fax 480.563.3204
E-mail randy@stoneandsteel.com
www.stoneandsteel.com

Made In The USA. 

PROJECT #14-007-A

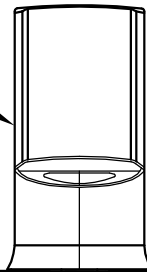
Sink Systems - airspout

AIR SPOUT - WITH BLOWER MOTOR

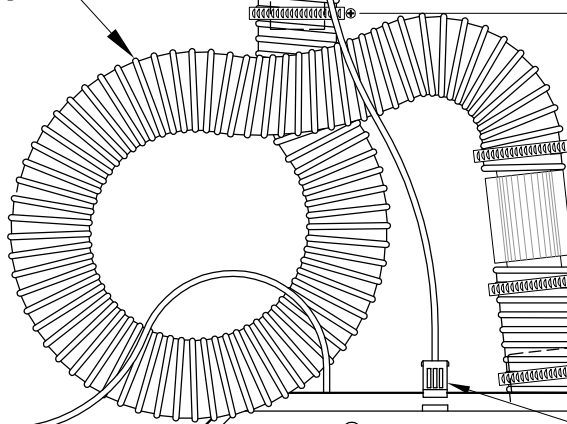
TECHNICAL SPEC.



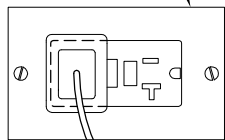
Hand Dryer Spout



Flexible 24" Long Tubing



Dedicated 20amp GFI Receptacle



Plug-in Cord

Sound Deadening Muffler

Standard Steel Clamp, Typ. All

24" Long Optical Sensor Line Socket with waterproof connector. Zip Tie to blower hose.


Approximately 11 1/2"

Approximately 10 1/2"

8" to 24"

stoneandsteel

7505 E. Bent Tree Drive
Scottsdale, Arizona 85266
Phone 949.456.5554
Fax 480.563.3204
E-mail randy@stoneandsteel.com
www.stoneandsteel.com

Made In The USA. 

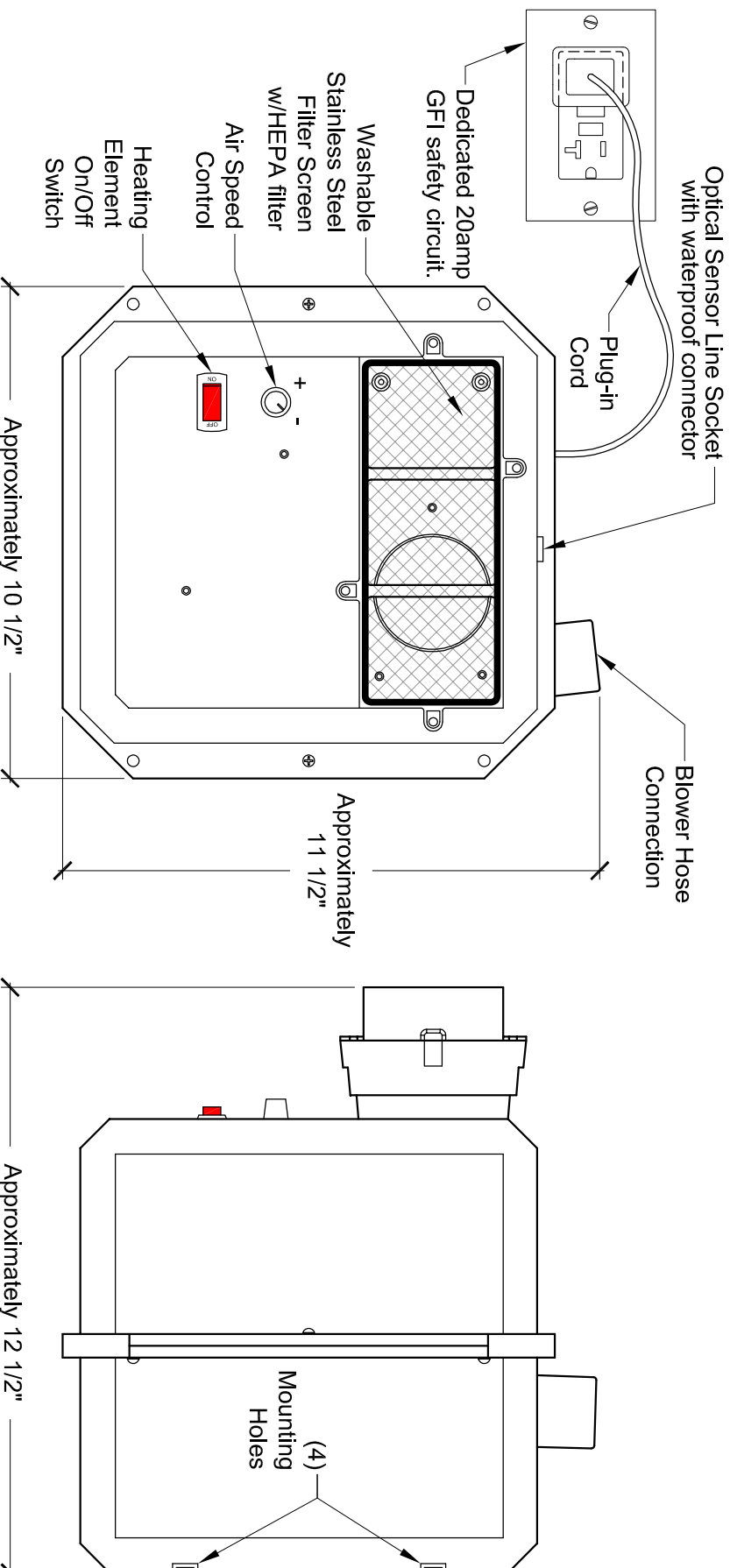
PROJECT #14-007-A

DIMENSIONS ARE SUBJECT TO MANUFACTURERS TOLERANCE AND CHANGE WITHOUT NOTICE. WE CAN ASSUME NO RESPONSIBILITY FOR USE OF SUPERSEDED OR VOID DATA. THIS PRINT IS CONFIDENTIAL AND IS LOANED FOR MUTUAL ASSISTANCE. IT IS NOT TO BE FORWARDED TO OTHER PARTIES NOR REPRINTED IN ANY FORM WITHOUT OUR WRITTEN PERMISSION. LATEST PRODUCT INFORMATION WWW.STONEANDSTEEL.COM. REV. 02.08.14

Sink Systems - airtspout

AIR SPOUT - HAND DRYER BLOWER/HEATER MOTOR

TECHNICAL SPEC.



Notes:

1. Blower alone is only 500 watts, or less with speed control.
2. Blower with heater requires 1500 watts or less with speed control.
3. Blower must be plugged into a dedicated 20amp GFI safety circuit.

stoneandsteel

7505 E. Bent Tree Drive
 Scottsdale, Arizona 85266
 Phone 949.456.5554
 Fax 480.563.3204
 E-mail randy@stoneandsteel.com
 www.stoneandsteel.com

Made In The USA.



PROJECT #14-07-A

REV. 02.08.14

DIMENSIONS ARE SUBJECT TO MANUFACTURERS TOLERANCE AND CHANGE WITHOUT NOTICE. WE CAN ASSUME NO RESPONSIBILITY FOR USE OF SUPERSEDED OR VOID DATA. THIS PRINT IS CONFIDENTIAL AND IS LOANED FOR MUTUAL ASSISTANCE. IT IS NOT TO BE FORWARDED TO OTHER PARTIES NOR REPRINTED IN ANY FORM WITHOUT OUR WRITTEN PERMISSION. LATEST PRODUCT INFORMATION WWW.STONEANDSTEEL.COM.