

DSG-83000

DESIGNER SERIES GRADIENT

Description

Gradient Basin Lavatory System can be equipped with Sloan® sensor-activated faucets. Constructed of durable corian or natural stone, both materials are available with our 20% or more post consumer recycled content.

Model

- DSG-83000** Gradient Three Station Lavatory without Faucets
- DSG-83100** Gradient Three Station Lavatory with Three **EAF-100** Faucets
- DSG-83150** Gradient Three Station Lavatory with Three **EAF-150** Faucets
- DSG-83200** Gradient Three Station Lavatory with Three **EAF-200** Faucets
- DSG-83225** Gradient Three Station Lavatory with Three **EAF-225** Faucets
- DSG-83250** Gradient Three Station Lavatory with Three **EAF-250** Faucets
- DSG-83275** Gradient Three Station Lavatory with Three **EAF-275** Faucets
- DSG-83615** Gradient Three Station Lavatory with Three **EBF-615** Faucets
- DSG-83625** Gradient Three Station Lavatory with Three **EBF-625** Faucets
- DSG-83610** Gradient Three Station Lavatory with Three **ETF-610** Faucets
- DSG-83XXX** Gradient Three Station Lavatory with Three **BASYS** Faucets

Specifications

The 90" Wall Mounted Console Unit includes:

- Dimensions: 90" x 22" x 5"
- A Monolithic Console, fabricated from corian material or natural stone
- Wall mounted carrier not supplied
- A high polished grid strainer provided
- Wall Mounted Console is ADA compliant if Installed properly

Sloan Electronic Faucets features:

- Sloan Sensor Technology for reliable performance
- Hardwire or Battery powered
- Infrared or Capacitance
- Troubleshooting LED Indicator Lights
- Filtered Solenoid with serviceable Strainer Filter

Faucet features may vary. See faucet specification sheets for details

Variations

- FM** Frame
- ESD** Electronic Soap Dispenser
- DS** Designer Stone (Quartz)
- AB** Angle Brackets

Colors*

- | | |
|---|--|
| <input type="checkbox"/> DSC001 Designer White | <input type="checkbox"/> DSC010 Fossil |
| <input type="checkbox"/> DSC002 Glacier White | <input type="checkbox"/> DSC011 Acorn |
| <input type="checkbox"/> DSC003 Antarctica | <input type="checkbox"/> DSC012 Raffia |
| <input type="checkbox"/> DSC004 Cameo White | <input type="checkbox"/> DSC013 Concrete |
| <input type="checkbox"/> DSC005 Rice Paper | <input type="checkbox"/> DSC014 Green Tea |
| <input type="checkbox"/> DSC006 Linen | <input type="checkbox"/> DSC015 Dove |
| <input type="checkbox"/> DSC007 Savannah | <input type="checkbox"/> DSC016 Blue Pebble |
| <input type="checkbox"/> DSC008 Whisper | <input type="checkbox"/> DSC017 Maui |
| <input type="checkbox"/> DSC009 Canvas | <input type="checkbox"/> DSC018 Night Sky |

* Natural Stone and other Corian Colors available upon request.

Warranty

3 year (limited)

DSG dimensions can be customized per designer request. See your Sloan representative for details.



Shown with BASYS™ EFX-277.500.000 faucet model

The Gradient Triple Station Lavatory System

The Gradient Basin design is an ergonomic hand washing basin, bringing higher efficiencies to the entire hand washing process in a more natural way. The Gradient may be configured to designers specifications. Waste assembly is not provided. Choose from one of the many Sloan faucets for the perfect match.

SloanStone® Sinks are:



Stainless steel recyclable

Sloan Faucet Electronics are:



The lavatory system is designed to comply with all applicable ADA, UFAS, Texas Accessibility Standards (TAS), and ANSI Z124.3 and Z124.6 accessibility guidelines when mounted at the standard 34" rim height.

This space for Architect/Engineer approval	
Job Name _____	Date _____
Model Specified _____	Quantity _____
Variations Specified _____	
Customer/Wholesaler _____	
Contractor _____	
Architect _____	

The information contained in this document is subject to change without notice.

DSG-83000

DESIGNER SERIES GRADIENT

FAUCET OPTIONS



Not All Faucet Models Shown

OPERATION

As the user's hands enter the beam's effective range, the beam is reflected back into the sensor receiver and activates the solenoid valve allowing water to flow from the spout. Water will flow until user's hands are removed or until the time out limit is reached.

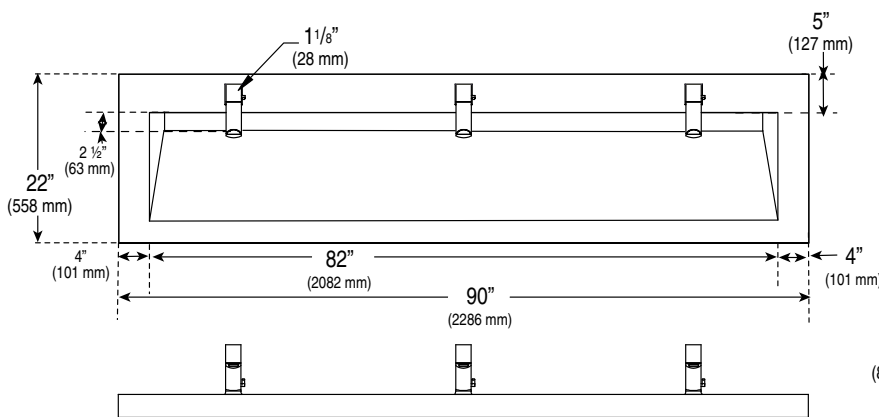


SINK COLORS



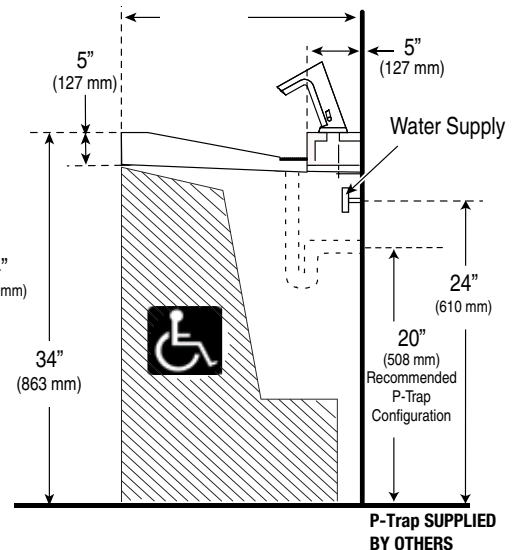
ROUGH-IN

TOP VIEW



FRONT VIEW

SIDE VIEW



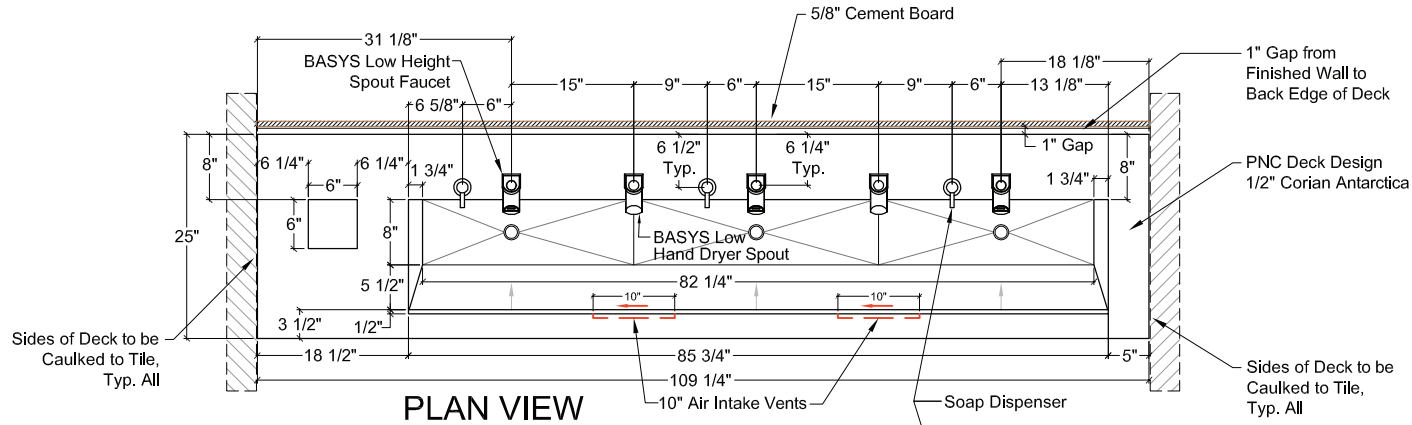
For additional technical information, contact the Sloan Technical Support at 1-888-SLOAN-14 (1-888-756-2614) or techsupport@sloanvalve.com

SLOAN HEADQUARTERS • 10500 SEYMOUR AVENUE • FRANKLIN PARK, IL 60131

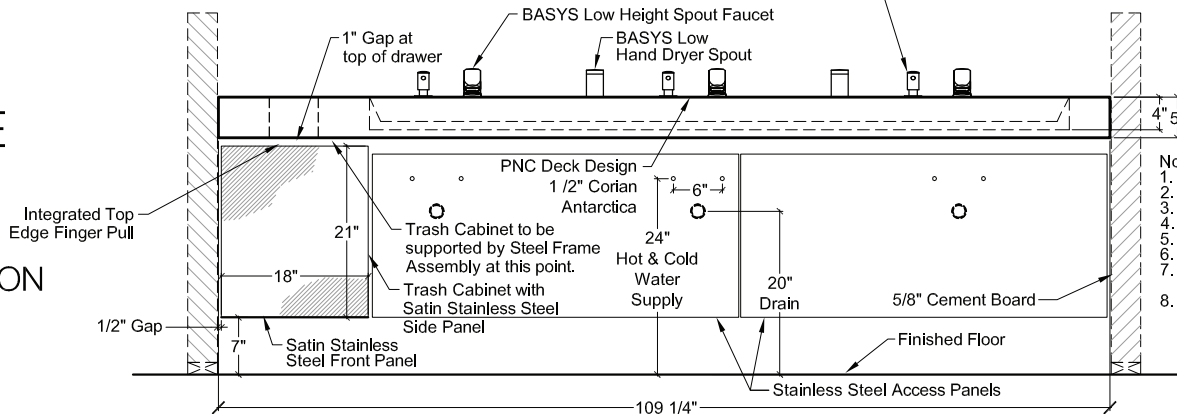
Phone: 1-800-982-5839 or 1-847-671-4300 • Fax: 1-800-447-8329 or 1-847-671-4380 • www.sloanvalve.com

Sink Systems

3 STA. 109 1/4" DECK



SLOAN VALVE
COMPANY
SINK SYSTEMS -
CUSTOM FABRICATION



Notes:

1. Faucet Weight - 5 lbs. each
2. Support Arm Weight - 10 lbs. each
3. Deck Weight - 8 lbs./square foot
4. Steel Frame - 5 lbs./linear foot
5. Trash Cabinet Assembly - 70 lbs. each
6. Applied Load at Center of Sink - 350 lbs.
7. Applied Load for each additional Faucet - 150 lbs. (Total Applied Load for Mock-Up = 650 lbs.)
8. Soap Dispenser - 10 lbs. each

Sink Systems

