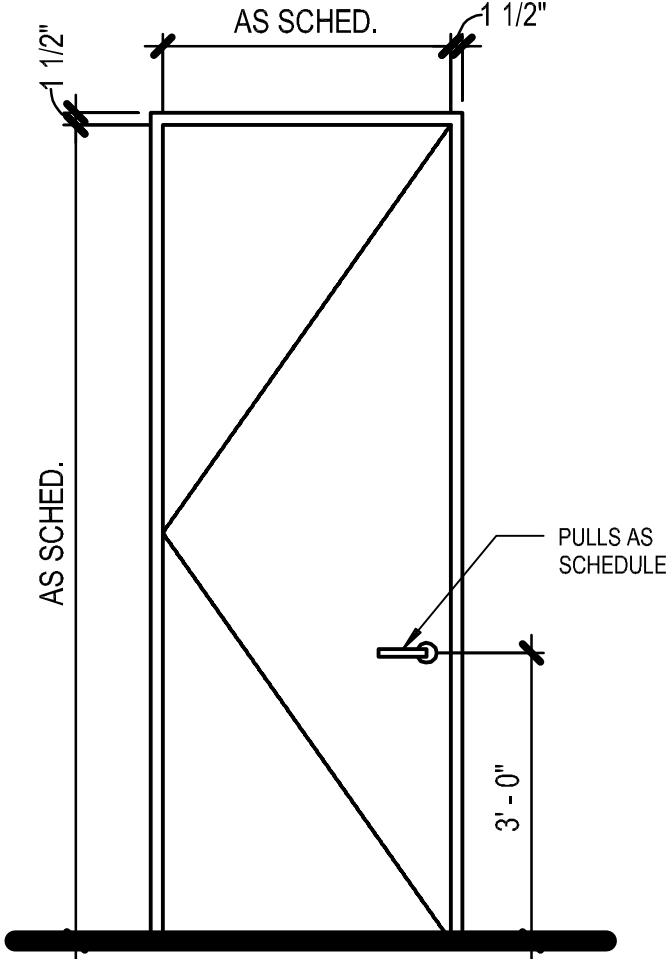


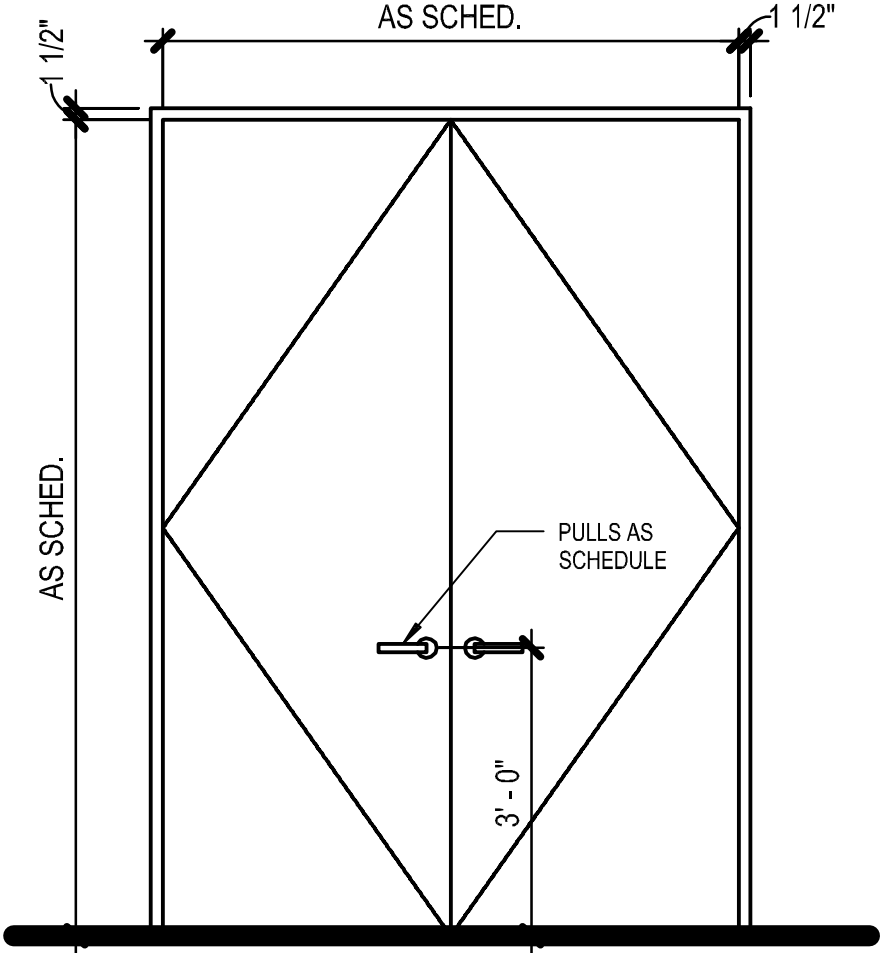
# Type A | Solid Core Veneer Single Door

PNC Workplace Guidelines



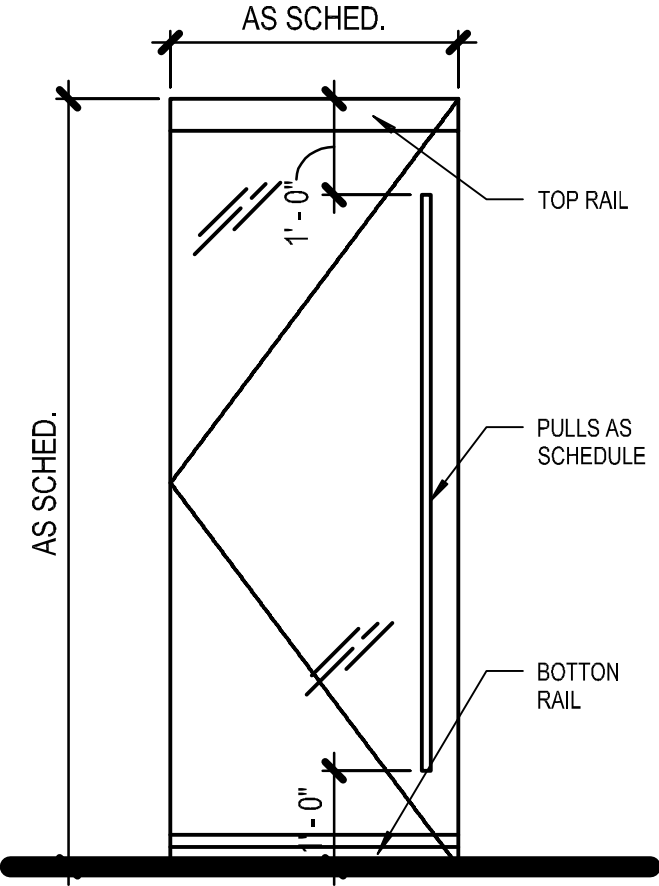
# Type B | Solid Core Veneer Double Door

PNC Workplace Guidelines



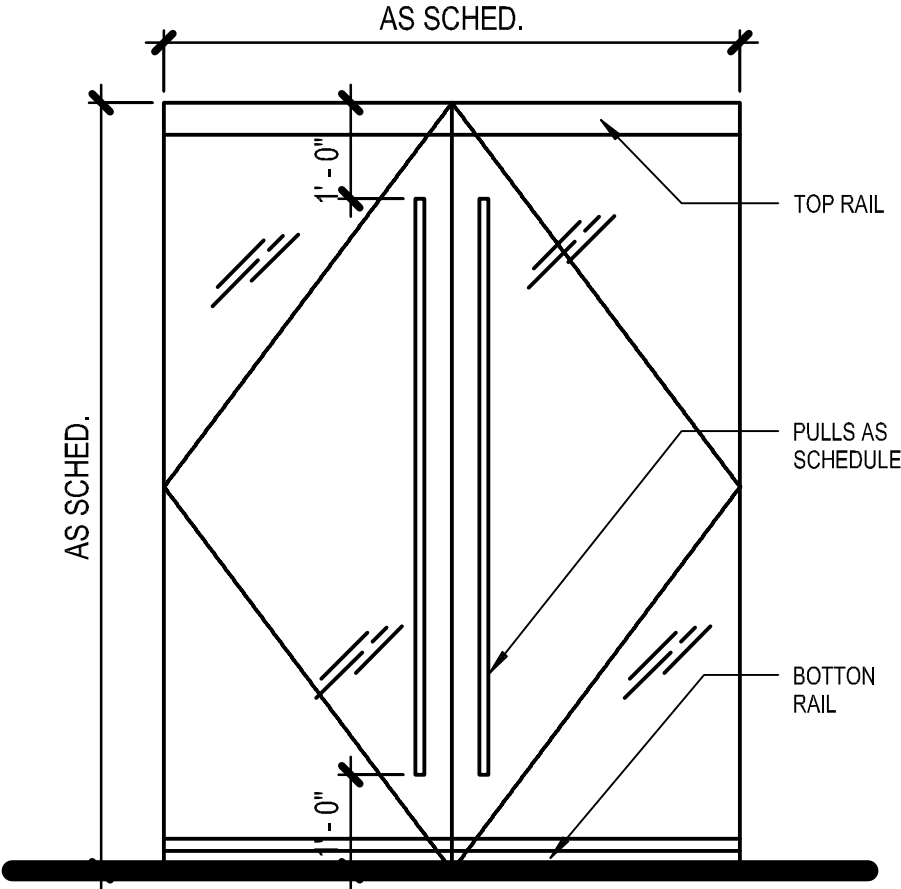
# Type C | Tempered Glass Single Door with Top and Bottom Rail

PNC Workplace Guidelines



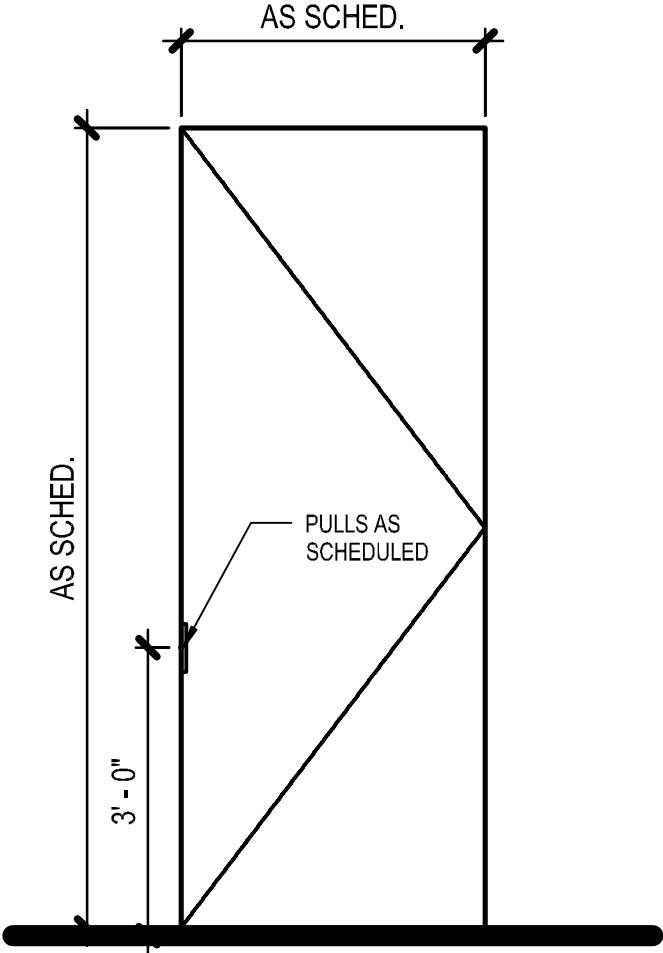
# Type D | Tempered Glass Double Door with Top and Bottom Rail

PNC Workplace Guidelines



# Type E | Frameless Solid Core Single door

PNC Workplace Guidelines



# Type F | Frameless Solid Core Double door

PNC Workplace Guidelines

