



ADA COMPLIANCE GUIDELINES -TELLER LINES

TELLER LINES



- NOTE: THESE DRAWINGS ARE TO BE USED AS A GUIDELINE ONLY. YOUR ARCHITECT/MILL WORKER SHALL BE RESPONSIBLE FOR THE LEDGE DESIGN AND COORDINATION OF FINISHES FOR NEW ELEMENTS AT TELLER LINE. DESIGN SHALL BE REVIEWED BY PNC DESIGN MANAGER.

- GUIDELINES AT TELLER LINE:

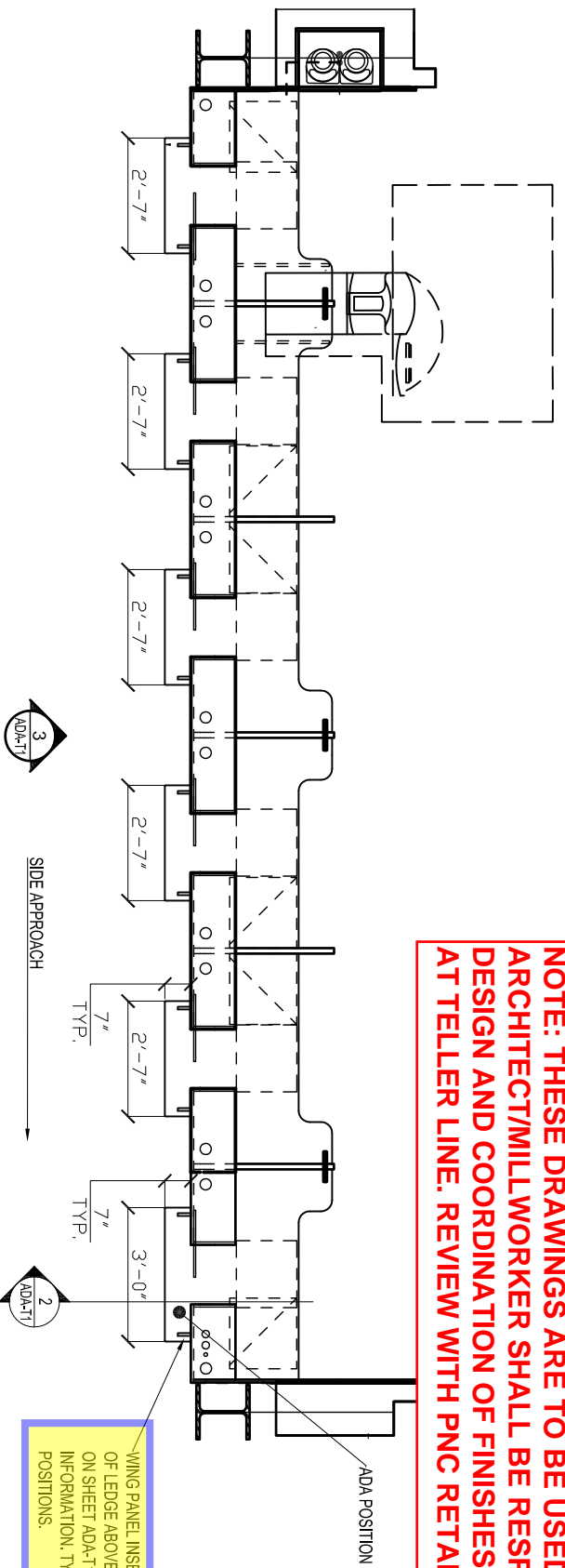
- THESE TELLER LINES LEDGES ARE INTENDED FOR THE CUSTOMER TO APPROACH FROM THE SIDE (PARALLEL) APPROACH. THIS IS WHAT GUIDES OUR DIMENSIONAL REQUIREMENTS.
- THE TOP OF THE ADA LEDGE SHALL BE NO MORE THAN 34" ABOVE FINISHED FLOOR
- THE WIDTH OF THE LEDGE SHALL BE 36" MINIMUM.
- A CLEAR FLOOR SPACE OF 30"W X 48"L (WITH LONG SIDE PARALLEL TO LEDGE) MUST BE PROVIDED IN FRONT OF LEDGE
- THE MAXIMUM REACH RANGE IS 48" HIGH OVER A 10"D. MAX LEDGE/COUNTER
- THE MAXIMUM REACH RANGE IS 46" HIGH OVER A 10"-24"D. LEDGE/COUNTER

TELLER LINES



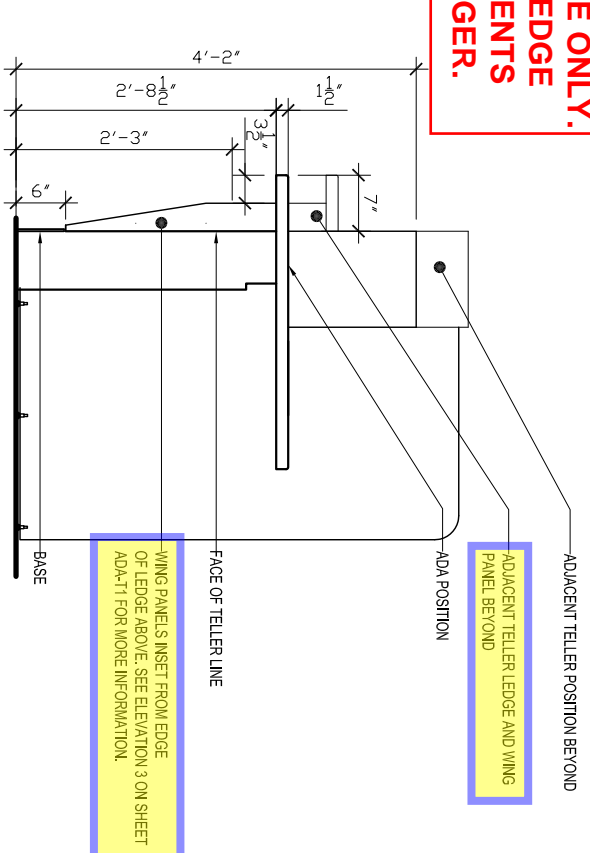
- GUIDELINES AT TELLER LINE (CONTINUED):
 - ALL LEDGES MUST MEET THE FOLLOWING REQUIREMENTS:
 - » IF A LEDGE PROJECTS OUT MORE THAN 4”, WING WALLS MUST BE ADDED AT EACH SIDE UNDER EACH LEDGE.
 - » THESE WING PANELS MUST BE AT OR BELOW 27” ABOVE FINISHED FLOOR AND CAN BE RECESSED NO MORE THAN 4” FROM THE FRONT EDGE OF THE LEDGE
 - ACCESSIBLE COUNTERS SHALL BE FIXED. SLIDING COUNTERS AND/OR DEPLOYED COUNTERS ARE PERMISSIBLE IF THEY LOCK IN PLACE WHEN DEPLOYED.

NOTE: THESE DRAWINGS ARE TO BE USED AS A GUIDELINE ONLY. ARCHITECT/MILLWORKER SHALL BE RESPONSIBLE FOR LEDGE DESIGN AND COORDINATION OF FINISHES FOR NEW ELEMENTS AT TELLER LINE. REVIEW WITH PNC RETAIL DESIGN MANAGER.



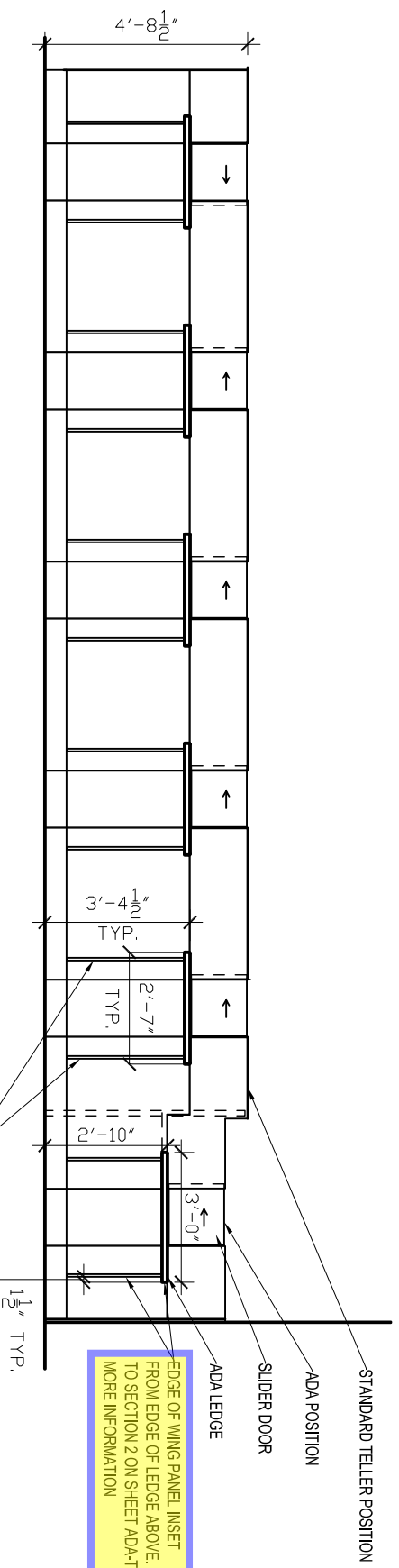
1 PLAN-SIX POSITION TELLER LINE

Scale: 1/4"=1'-0"



2 SECTION-ADA TELLER POSITION

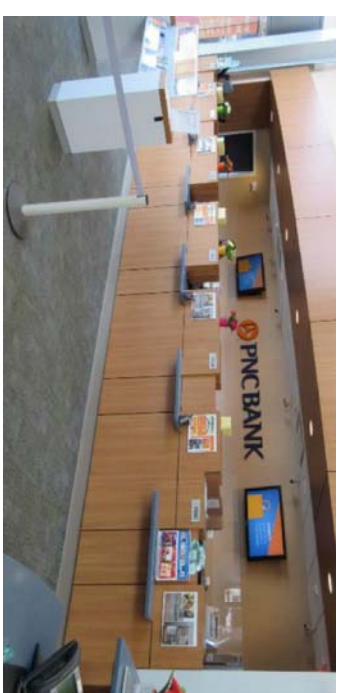
Scale: 1/2"=1'-0"



3 ELEVATION-SIX POSITION TELLER LINE

Scale: 1/4"=1'-0"

GUIDELINES:
1. IF ANY TELLER LEDGE PROJECTS OUT PAST 4" FROM THE FACE OF THE TELLER LINE, WING PANELS SHALL BE ADDED TO EACH SIDE OF LEDGE (REGARDLESS OF LEDGE HEIGHT ABOVE FINISHED FLOOR). WING PANELS ON EACH SIDE OF LEDGE SHALL BE NO MORE THAN 4" INSET FROM EDGE OF LEDGE AT 27" ABOVE FINISHED FLOOR.



4 EXISTING TELLER LINES

Scale: NTS

**EXISTING BRANCHES
 ADA TELLER LINE COMPLIANCE**

EXISTING ADA STATION

Date: 02.25.16

MILLWORK GUIDELINES

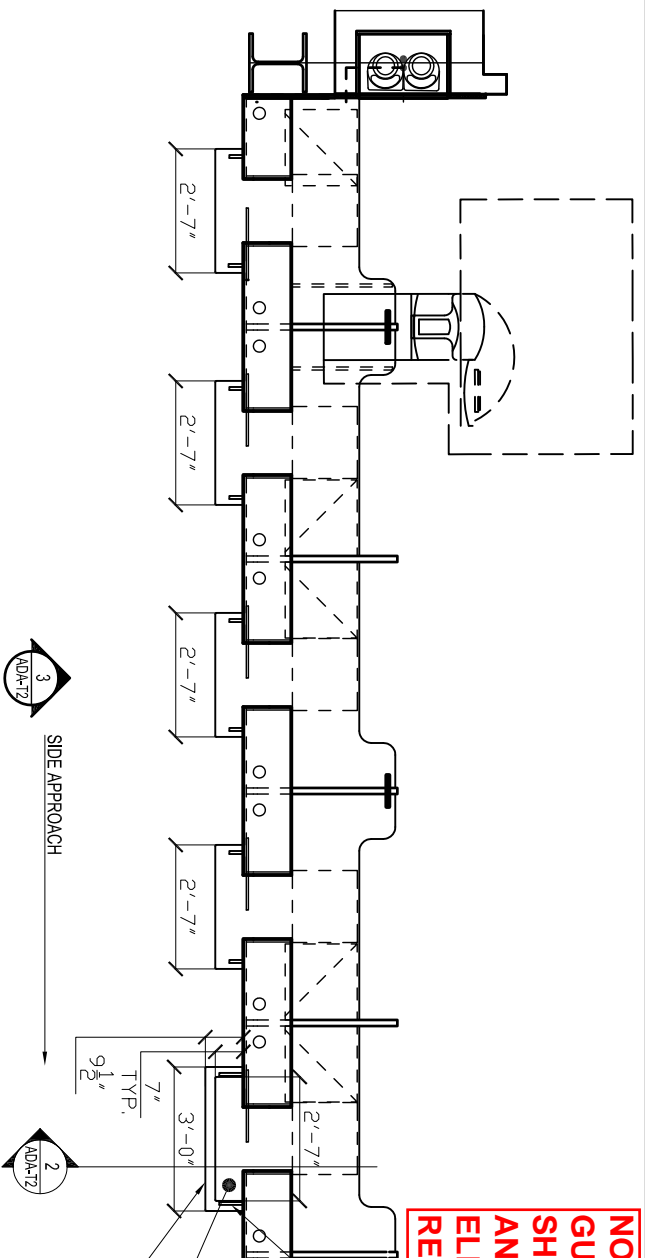


RETAIL GUIDELINES

ADA-T1

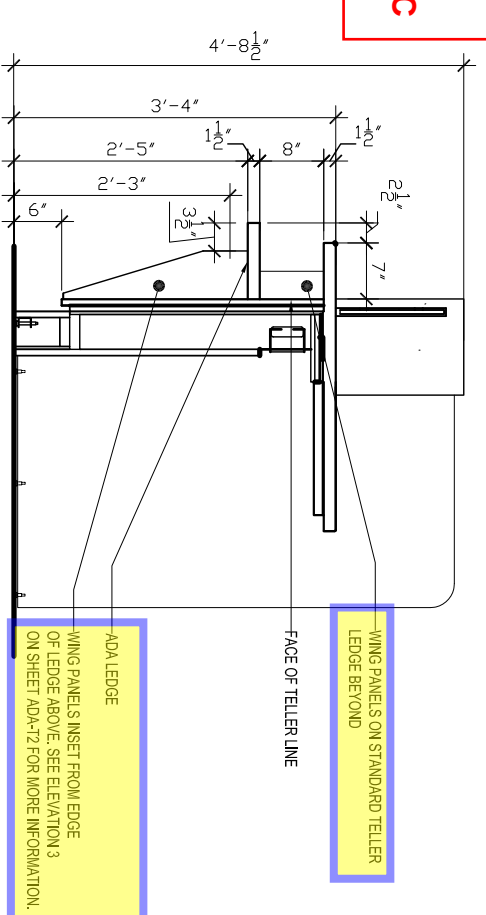
Floor #

NOTE: THESE DRAWINGS ARE TO BE USED AS A GUIDELINE ONLY. ARCHITECT/MILLWORKER SHALL BE RESPONSIBLE FOR LEDGE DESIGN AND COORDINATION OF FINISHES FOR NEW ELEMENTS AT TELLER LINE. REVIEW WITH PNC RETAIL DESIGN MANAGER.



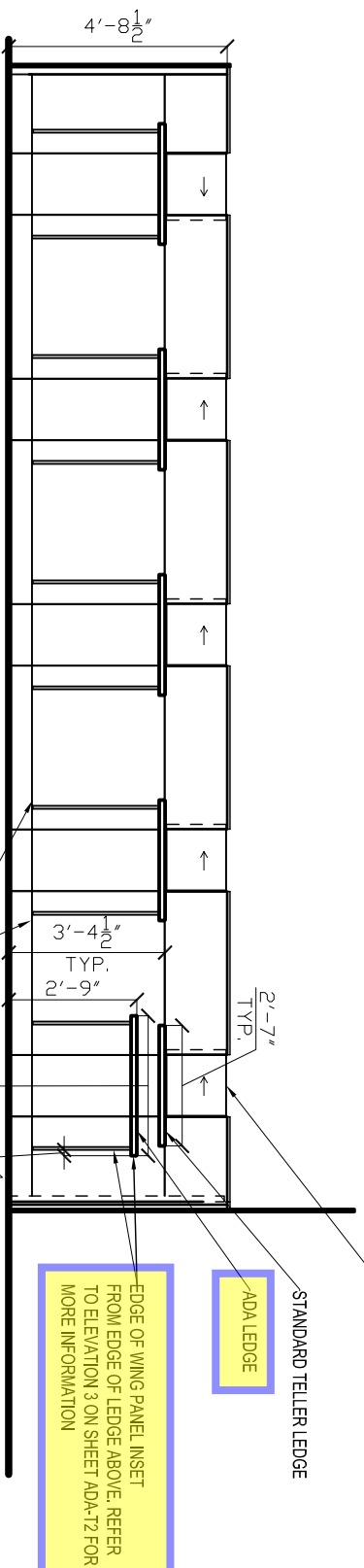
1 PLAN-FIVE POSITION TELLER LINE

Scale: 1/4"=1'-0"



2 SECTION-ADA TELLER POSITION

Scale: 1/2"=1'-0"



3 ELEVATION-FIVE POSITION TELLER LINE

Scale: 1/4"=1'-0"



4 EXISTING TELLER LINE

Scale: NTS

GUIDELINES:

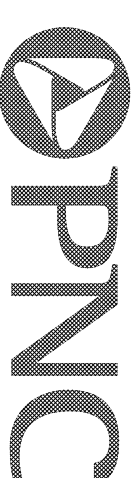
1. IF ANY TELLER LEDGE PROJECTS OUT PAST 4" FROM THE FACE OF THE TELLER LINE, WING PANELS SHALL BE ADDED TO EACH SIDE OF LEDGE (REGARDLESS OF LEDGE HEIGHT ABOVE FINISHED FLOOR). WING PANELS SHALL BE NO MORE THAN 4" INSET FROM FRONT EDGE OF LEDGE AT 27" ABOVE FINISHED FLOOR.
2. WHEN THERE IS NO DEDICATED ADA TELLER POSITION, AN ADDITIONAL LEDGE LOCATED BELOW ONE STANDARD LEDGE SHALL BE PROVIDED. LEDGE SHALL NOT PROJECT OUT MORE THAN 4" FROM EDGE OF LEDGE ABOVE AND SHALL INCLUDE WING PANELS ON EACH SIDE OF LEDGE THAT SHALL BE NO MORE THAN 4" INSET FROM FRONT EDGE OF LEDGE AT 27".

**EXISTING BRANCHES
ADA TELLER LINE COMPLIANCE**

ADA LEDGE AT EXISTING STATION

Date: 02.25.16

MILLWORK GUIDELINES

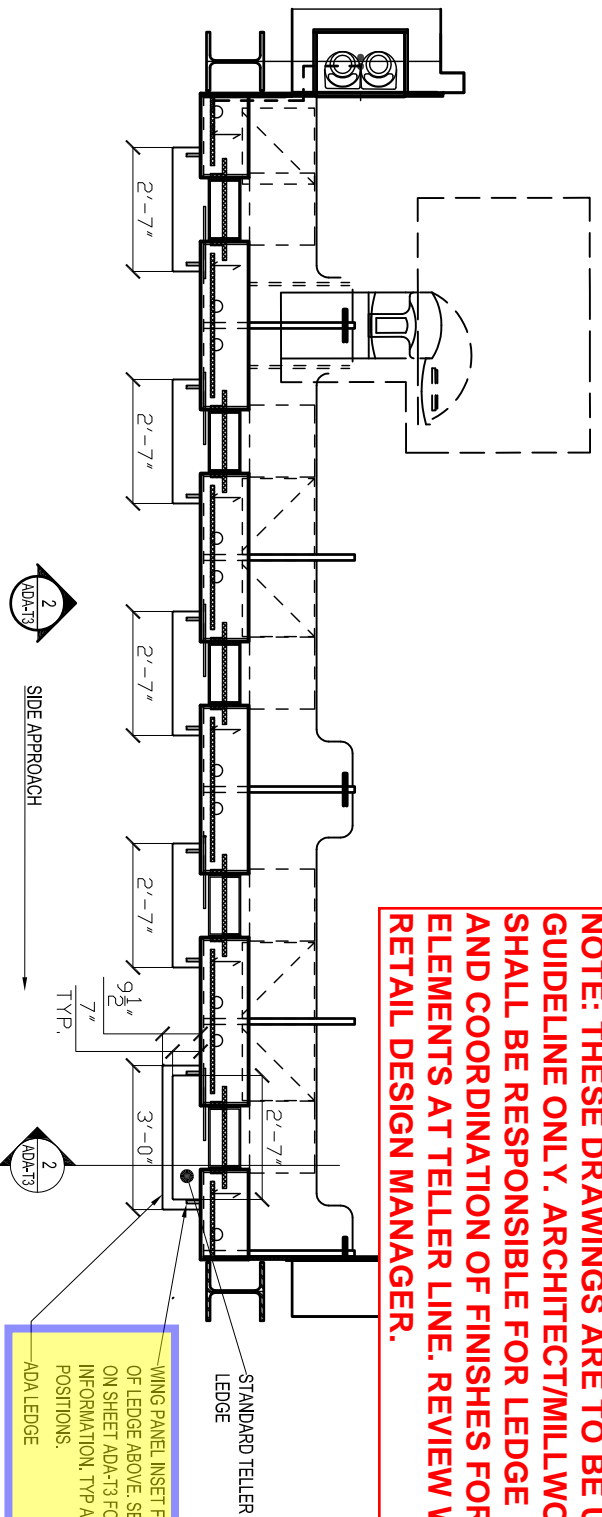


RETAIL GUIDELINES

Floor #

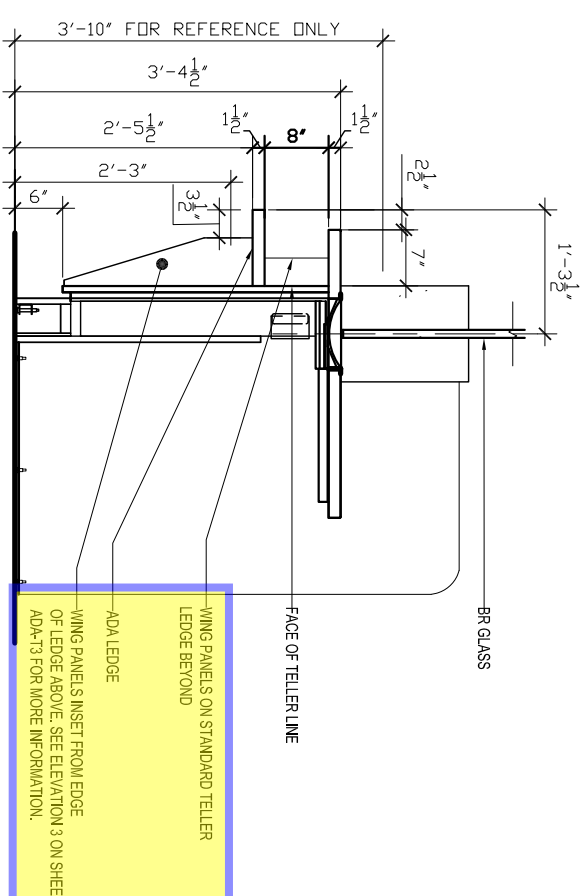
ADA-T2

NOTE: THESE DRAWINGS ARE TO BE USED AS A GUIDELINE ONLY. ARCHITECT/MILLWORKER SHALL BE RESPONSIBLE FOR LEDGE DESIGN AND COORDINATION OF FINISHES FOR NEW ELEMENTS AT TELLER LINE. REVIEW WITH PNC RETAIL DESIGN MANAGER.



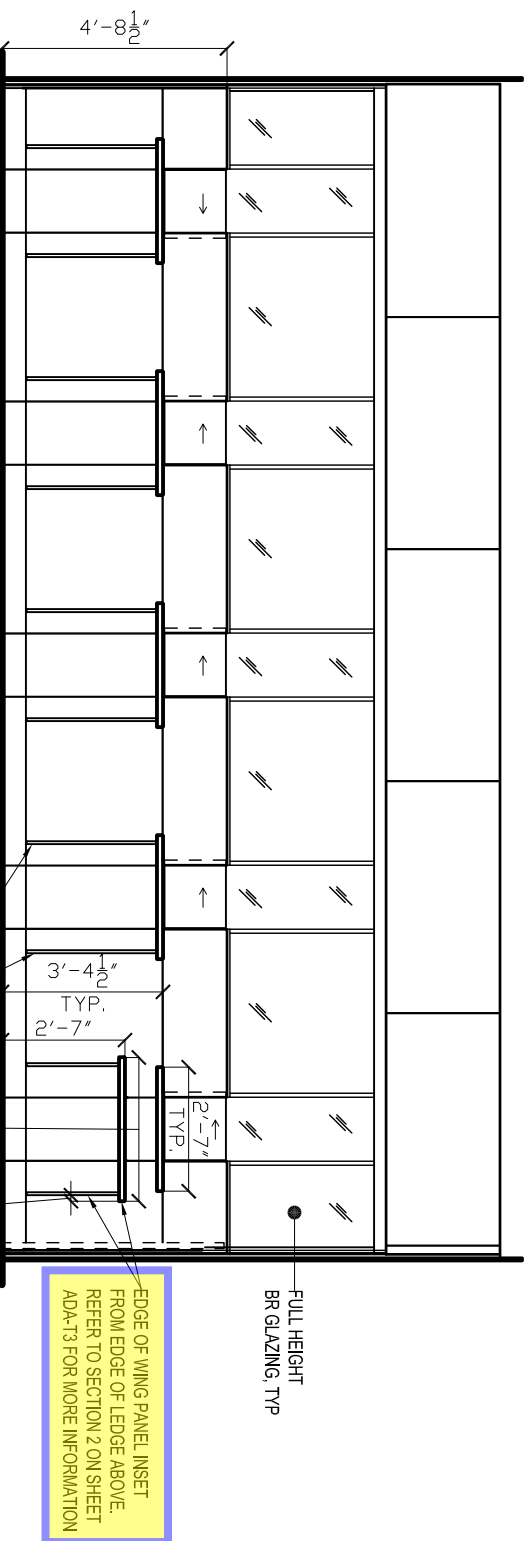
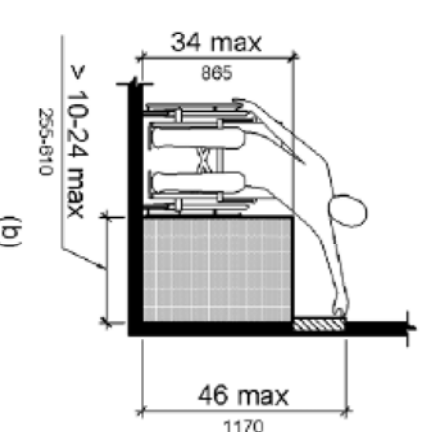
1 PLAN-FIVE POSITION TELLER LINE

Scale: 1/4"=1'-0"



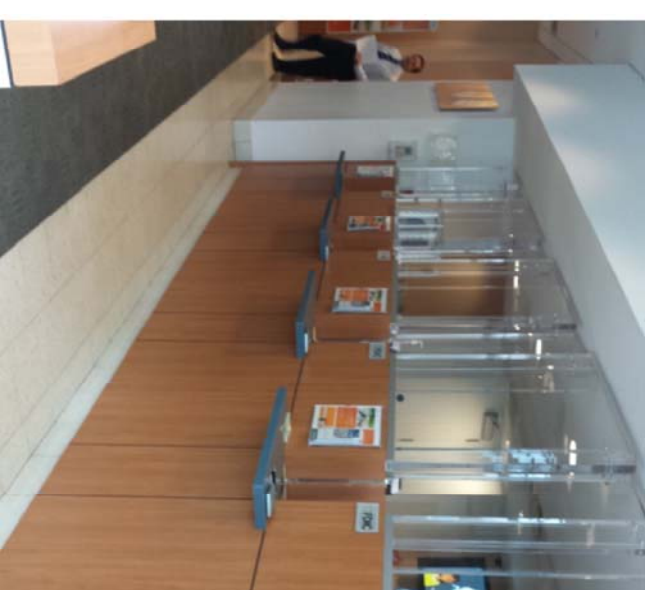
2 SECTION-ADA TELLER POSITION

Scale: 1/2"=1'-0"



3 ELEVATION-FIVE POSITION TELLER LINE

Scale: 1/4"=1'-0"



4 EXISTING TELLER LINE

Scale: NTS

GUIDELINES:

1. IF ANY TELLER LEDGE PROJECTS OUT PAST 4" FROM THE FACE OF THE TELLER LINE, WING PANELS SHALL BE ADDED TO EACH SIDE OF LEDGE (REGARDLESS OF LEDGE HEIGHT ABOVE FINISHED FLOOR). WING PANELS SHALL BE NO MORE THAN 4" INSET FROM EDGE OF LEDGE AT 27" ABOVE FINISHED FLOOR.
2. WHEN A TELLER LINE HAS NO DEDICATED ADA POSITION, AN ADDITIONAL LEDGE LOCATED BELOW ONE STANDARD LEDGE SHALL BE PROVIDED. LEDGE SHALL NOT PROJECT OUT MORE THAN 4" FROM EDGE OF LEDGE ABOVE AND SHALL INCLUDE WING PANELS ON EACH SIDE OF LEDGE SHALL BE NO MORE THAN 4" INSET FROM THE FRONT EDGE OF LEDGE AT 27" ABOVE FINISHED FLOOR.

EXISTING BRANCHES ADA TELLER LINE COMPLIANCE

ADA LEDGE AT EXISTING STATION

BR GLASS

Date: 02.25.16

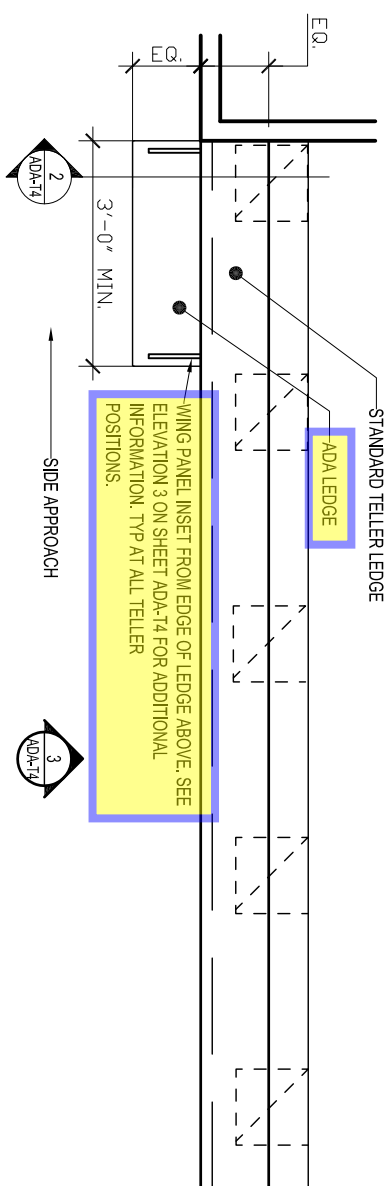
MILLWORK GUIDELINES



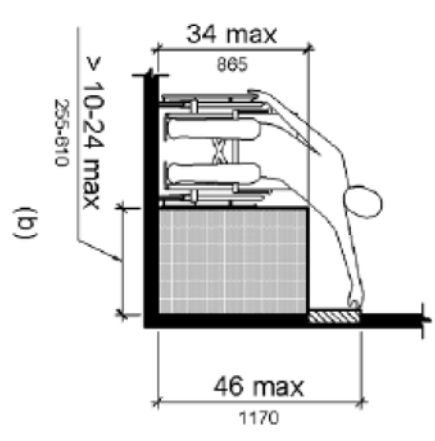
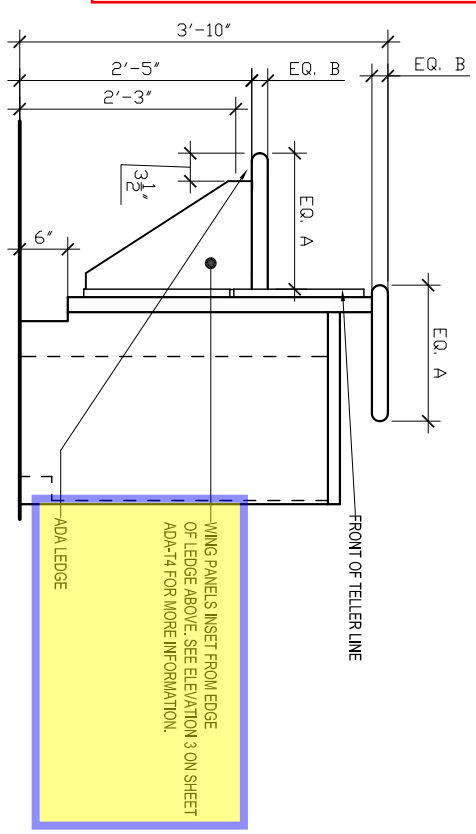
RETAIL GUIDELINES

ADA-T3

Floor #

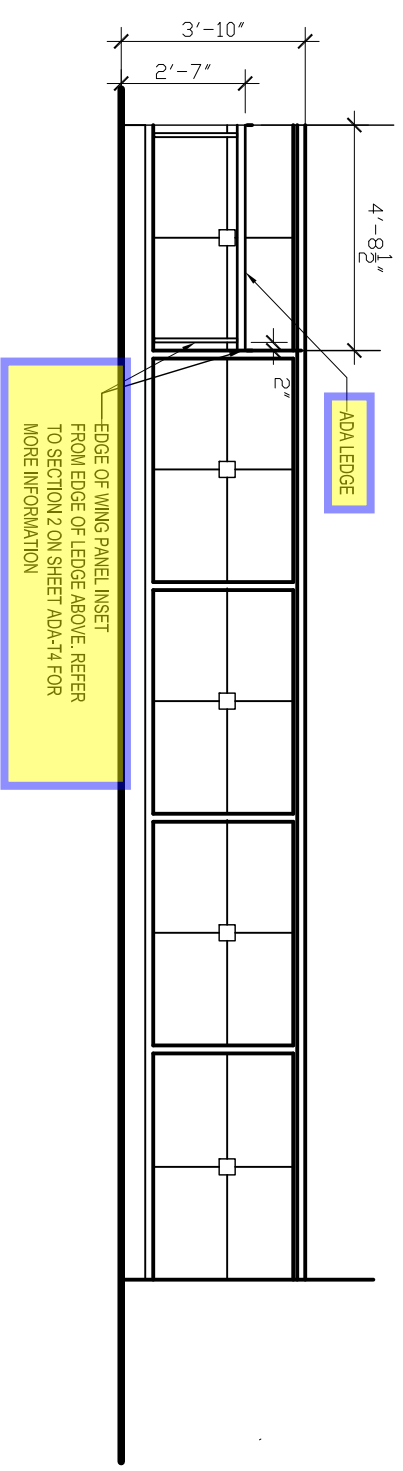


NOTE: THESE DRAWINGS ARE TO BE USED AS A GUIDELINE ONLY. ARCHITECT/MILLWORKER SHALL BE RESPONSIBLE FOR COORDINATION OF LEDGE DESIGN AND FINISHES FOR NEW ELEMENTS AT TELLER LINE. REVIEW WITH PNC RETAIL DESIGN MANAGER.



1 PLAN-FIVE POSITION TELLER LINE

Scale: 1/4"=1'-0"



3 ELEVATION-FIVE POSITION TELLER LINE

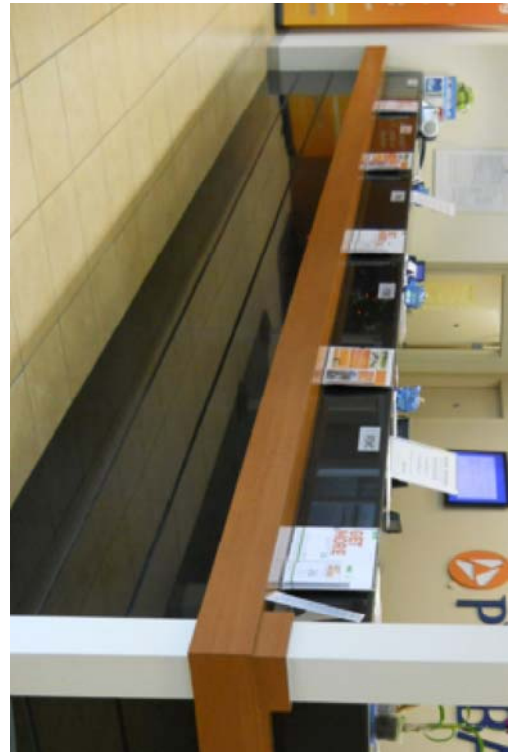
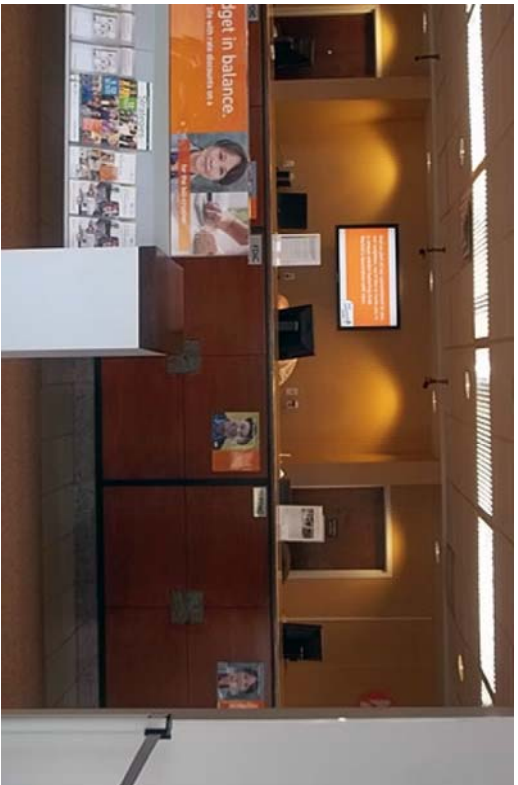
Scale: 1/4"=1'-0"

GUIDELINES:

1. WHEN THERE IS A CONTINUOUS LEDGE FOR TRANSACTIONS ACROSS THE TELLER LINE, THE NEW ADA LEDGE SHALL BE THE SAME DEPTH AS THE STANDARD LEDGE. THE NEW LEDGE MUST BE A MINIMUM OF 36" WIDE.
2. IF THE STANDARD TELLER LEDGE IS 10" OR GREATER AND HIGHER THAN 46", AN ENTIRELY NEW ADA COMPLIANT STATION MAY NEED TO BE CREATED. REFER TO THE IMAGE B FOR REACH RANGE GUIDELINES.
3. IF ANY TELLER LEDGE PROJECTS OUT PAST 4" FROM THE FACE OF THE TELLER LINE, WING PANELS SHALL BE ADDED TO EACH SIDE OF LEDGE (REGARDLESS OF LEDGE HEIGHT ABOVE FINISHED FLOOR). WING PANELS ON EACH SIDE OF LEDGE SHALL BE NO MORE THAN 4" INSET FROM FRONT EDGE OF LEDGE AT 27" ABOVE FINISHED FLOOR.

2 SECTION-ADA TELLER POSITION

Scale: 1/2"=1'-0"



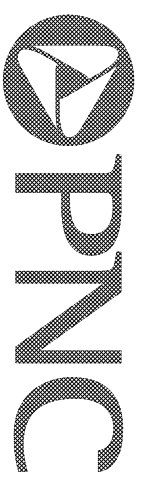
4 EXISTING TELLER LINES

Scale: NTS

EXISTING BRANCHES ADA TELLER LINE COMPLIANCE

ADA LEDGE AT EXISTING STATION

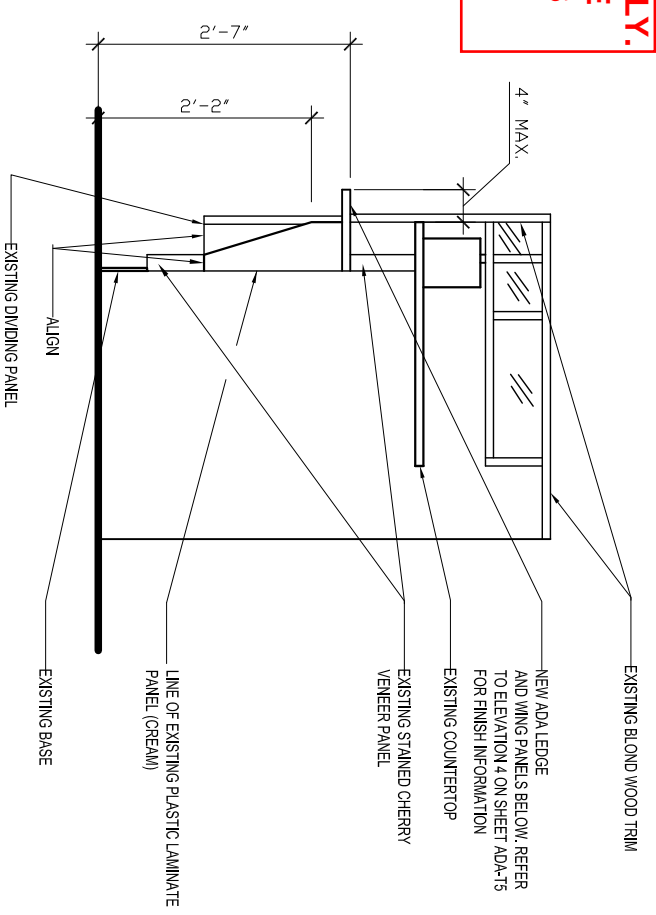
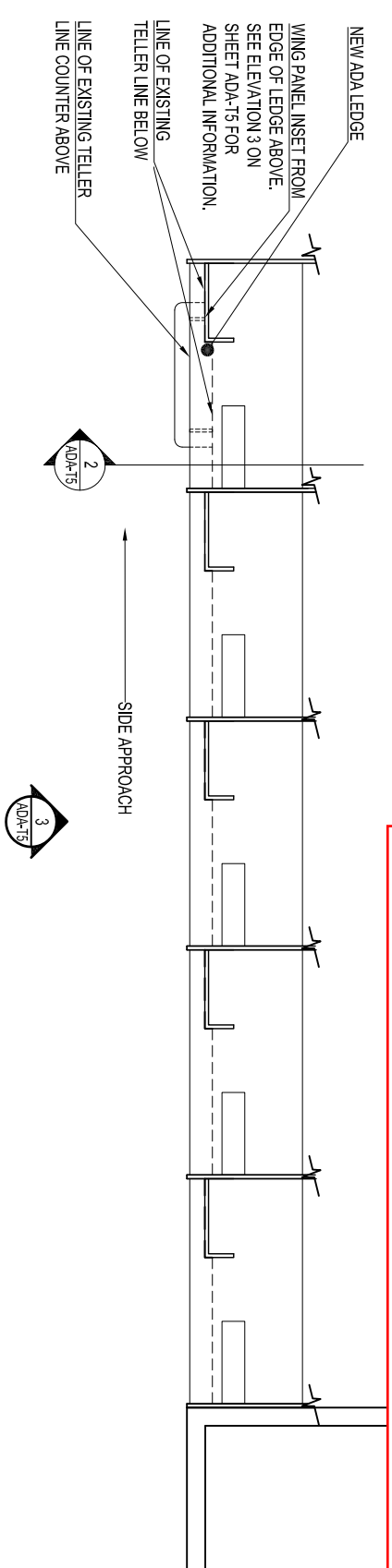
Date: 02.25.16 | MILLWORK GUIDELINES



RETAIL GUIDELINES ADA-T4

Floor #

NOTE: THESE DRAWINGS ARE TO BE USED AS A GUIDELINE ONLY. ARCHITECT/MILL WORKER SHALL BE RESPONSIBLE FOR LEDGE DESIGN AND COORDINATION OF FINISHES FOR NEW ELEMENTS AT TELLER LINE (U.O.N). REVIEW WITH PNC RETAIL DESIGN MANAGER.

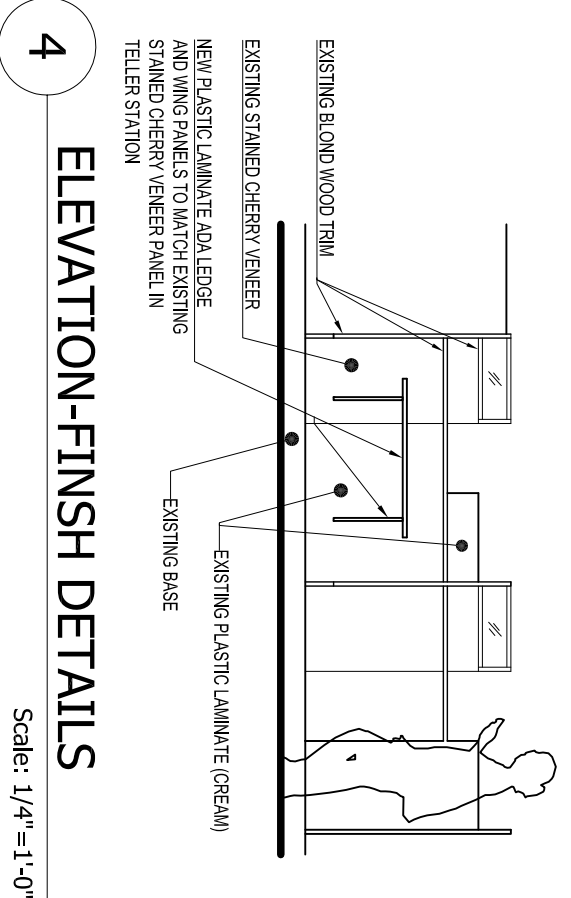
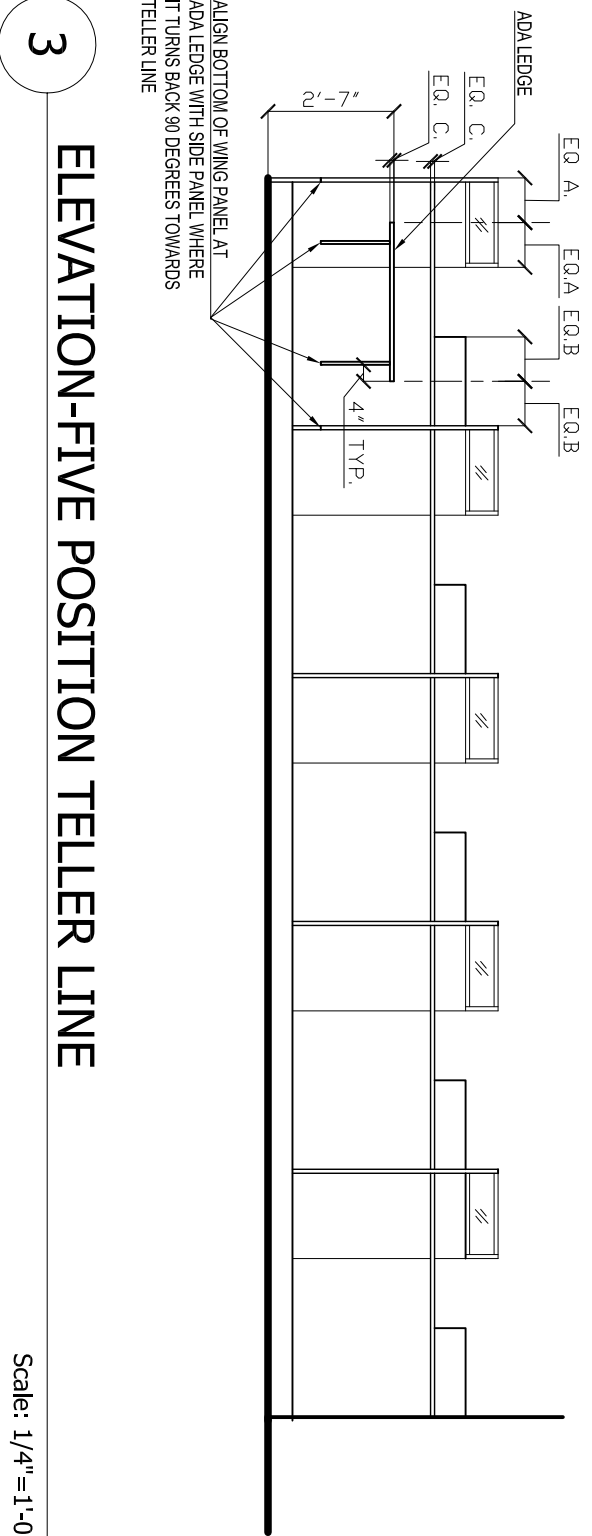


1 PLAN-FIVE POSITION TELLER LINE

Scale: 1/4" = 1'-0"

2 SECTION-ADA TELLER POSITION

Scale: 1/2" = 1'-0"



3 ELEVATION-FIVE POSITION TELLER LINE

Scale: 1/4" = 1'-0"

4 ELEVATION-FINISH DETAILS

Scale: 1/4" = 1'-0"

GUIDELINES:
1. WING PANELS SHALL BE NO MORE THAN 4" INSET FROM FRONT EDGE OF LEDGE AT 27" ABOVE FINISHED FLOOR.
2. WHEN THERE IS NO DEDICATED ADA TELLER POSITION, AN ADDITIONAL LEDGE LOCATED BELOW ONE STANDARD LEDGE SHALL BE PROVIDED.

5 EXISTING TELLER LINE

Scale: NTS

