
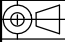
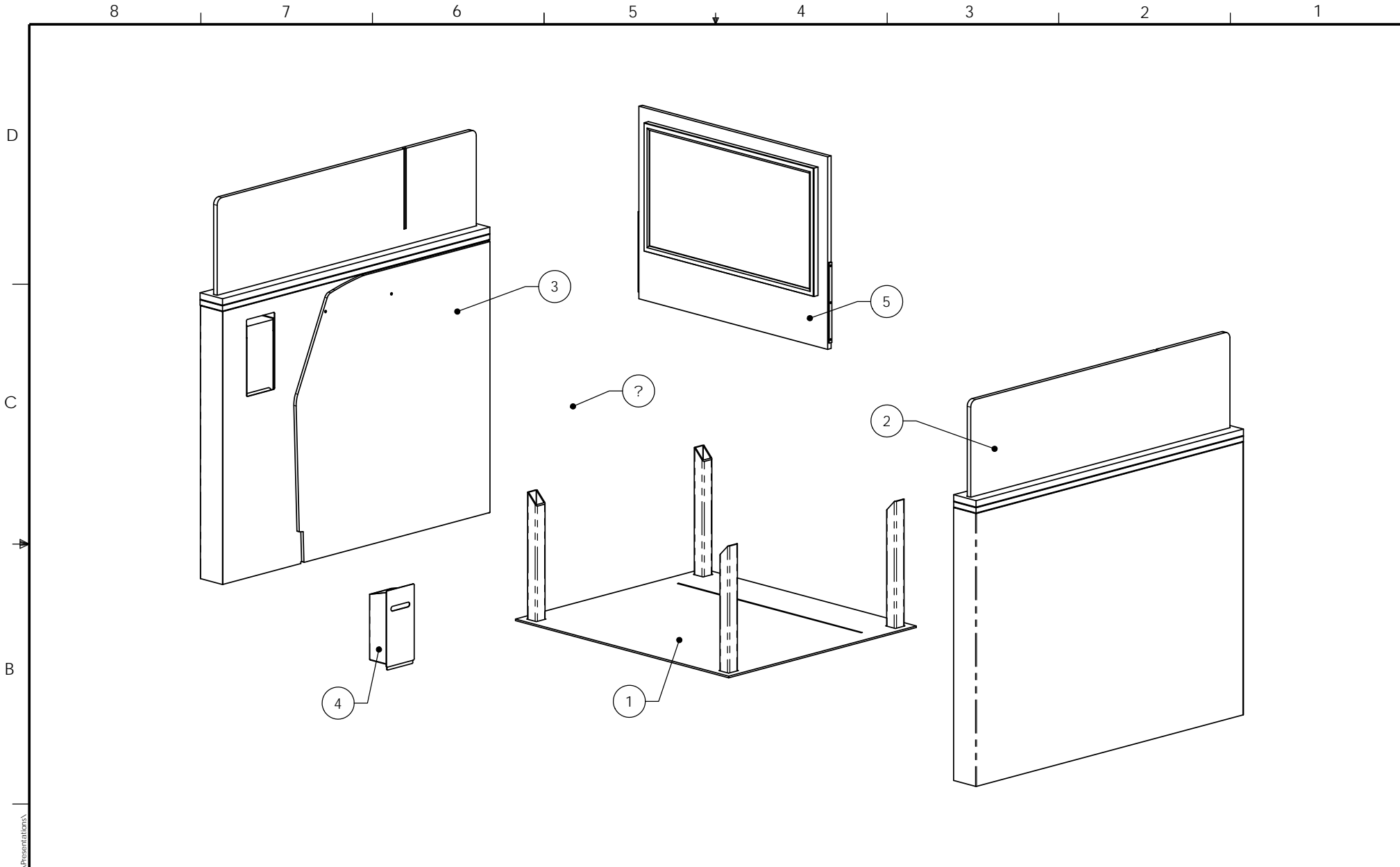


<small>UNLESS OTHERWISE SPECIFIED DIMENSIONS ARE IN INCHES AND TOLERANCES ARE:          FRACTION = ±1/32          3 DECIMAL = ±.005          2 DECIMAL = ±.01          ANGLE = ±5</small>		 <b>COMPANION</b>		
<b>APPROVALS</b>		<b>DATE</b>		
ENGINEERED: TLF	11/07/16	<h2 style="text-align: center;">Standard Views</h2>		
DRAWN: TLF	11/07/16			
CHECKED: BH	11/07/16			
 THIRD ANGLE PROJECTION	SCALE = 1:26 DO NOT SCALE	SHEET SIZE <b>A</b>	Prod. I.D., DRW Type, Featured component, Sequence # <b>3380, PR, Overall Dimensions, 01</b>	REVISION <b>D</b>

THE INFORMATION CONTAINED IN THIS DRAWING IS THE SOLE PROPERTY OF COMPANION SYSTEMS. ANY REPRODUCTION IN PART OR WHOLE WITHOUT THE WRITTEN PERMISSION OF COMPANION SYSTEMS IS PROHIBITED.

I:\3380\3380\_Engineering\3380 Fabrication\Drawings\Presentations\

Printed Date: 3/7/2017



ITEM #	QUANTITY	PART #, DESCRIPTION
1	1	3380100, Base Plate
2	1	3380110s, Right Wall
3	1	3380111s, Left Wall
4	1	3380120s, Waste Can
5	1	3380660s, Cross Support

UNLESS OTHERWISE SPECIFIED DIMENSIONS ARE IN INCHES AND TOLERANCES ARE:  
 FRACTION = ±1/32  
 3 DECIMAL = ±.005  
 2 DECIMAL = ±.01  
 ANGLE = ±5

**COMPANION**

**Exploded View & B.O.M.**

APPROVALS	DATE	SHEET SIZE	Prod. I.D., DRW Type, Featured component, Sequence #	REVISION
ENGINEERED: TLF	11/07/16			
DRAWN: TLF	11/07/16	A	3380, PR, Overall Dimensions, 01	D
CHECKED: BH	11/07/16			
THIRD ANGLE PROJECTION	SCALE = 1:20 DO NOT SCALE			

THE INFORMATION CONTAINED IN THIS DRAWING IS THE SOLE PROPERTY OF COMPANION SYSTEMS. ANY REPRODUCTION IN PART OR WHOLE WITHOUT THE WRITTEN PERMISSION OF COMPANION SYSTEMS IS PROHIBITED.

645 WEST 200 NORTH - NORTH SALT LAKE, UTAH 84054 FAX # (801) 936-1563 TELEPHONE # (801) 936-8082 SHEET: 2 of 2

I:\3380\3380\_Engineering\3380\_Fabrication\Drawings\Presentations\A

Printed Date: 3/7/2017